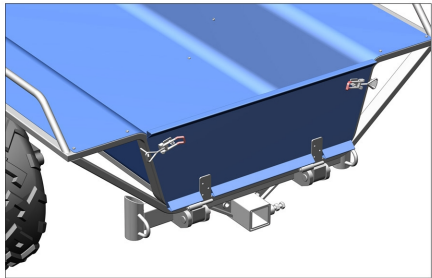


ASSEMBLY DRAWING



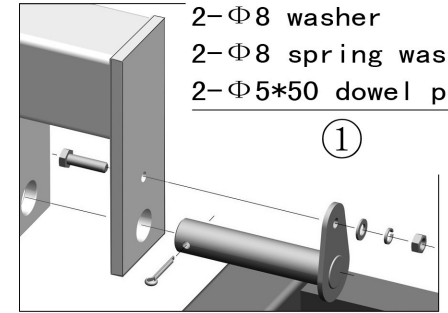
Please pay attention to the installation direction of the tyres and the tyre brackets.



TRAILER BED ASSEMBLED LIKE THE ABOVE PICTURE

- 2-M8*30 bolt
- 2-M8 nut
- 2-Φ8 washer
- 2-Φ8 spring washer
- 2-Φ5*50 dowel pin

①



- 2-M12*50 bolt
- 2-M12 nut

⑥

- 2-M14*140 bolt
- 2-M14 nut

⑧

- 2-M10*90 bolt
- 2-M10 nut
- 2-Φ10 washer
- 2-Φ10 spring washer
- 2-Φ16 bolt sleeve

⑦

- 2-M12*50 bolt
- 2-M12 nut

④

- 2-M16*50 bolt
- 2-M16 nut

⑤

- 2-M16*50 bolt
- 2-M16 nut

③

- 16-M12 wheel hub nut

②

